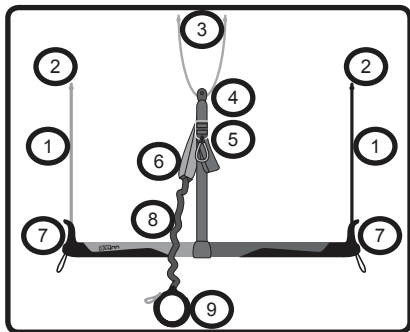


# 4-line powerkite bar

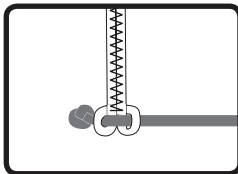
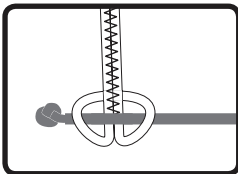
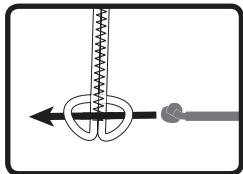
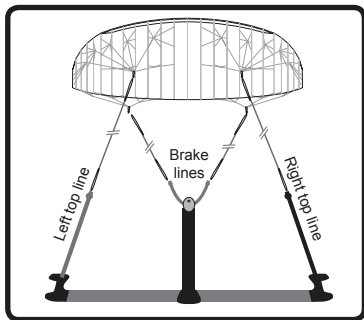


1. Side leader lines
2. Top line attachment points
3. Brake line attachment points
4. Center brake line pulley
5. Center strap
6. Self-landing handle
7. Line winders with bungee loops
8. Bungee safety leash
9. Wrist strap

## Attaching your flying lines

Make sure you attach the correct line to the correct attachment point.

The top lines go to the ends of the bar, the brake / rear lines to the center line running through the pulley.

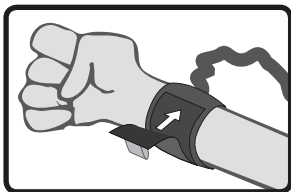


Place a larkshead in the sleeve and slide it over the end knot on the leader line. Pull the larkshead tight against the end knot. Use this method for all four attachment points.

# 4-line powerkite bar

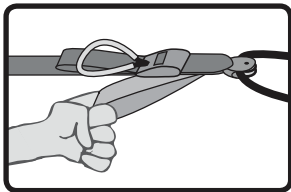
## Self-landing your kite / Using the safety system

Before flying your kite, attach the wrist leash to your wrist.



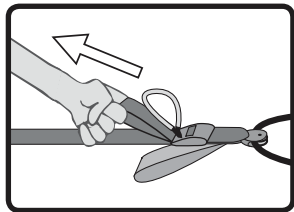
When letting go of the bar, or unhooking/releasing the (optional) harness line, the safety system is activated. The kite is supported only by the brake lines and the kite will land backwards.

You can also grab the handle on the strap if you wish to self-land your kite.

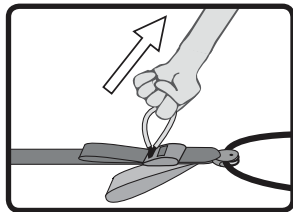


## Adjusting top / brake line difference

You can easily set the top / brake line difference by using the strap in the center of the bar.



Pulling in: • More power  
• Faster turning



Sheeting out: • Less power  
• Less stalling

If the kite steers the opposite direction or does not take off, you need to sheet out.  
If the kite does not steer at all, you need to pull in the strap.